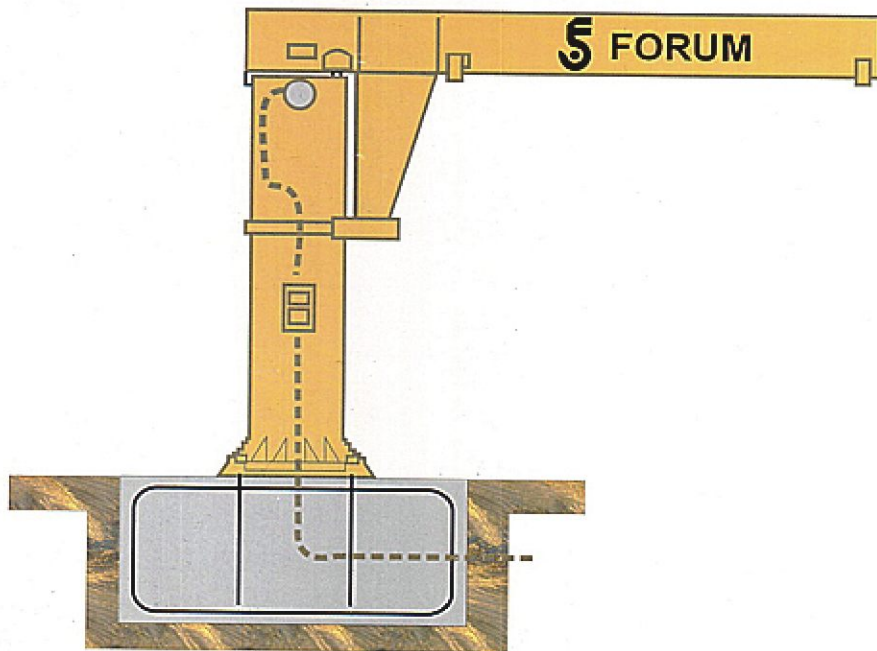




Jib Cranes

FORUM



Power
to move loads

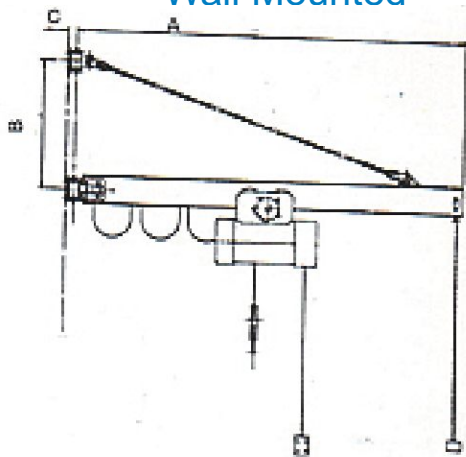
Swiftly &

Smartly

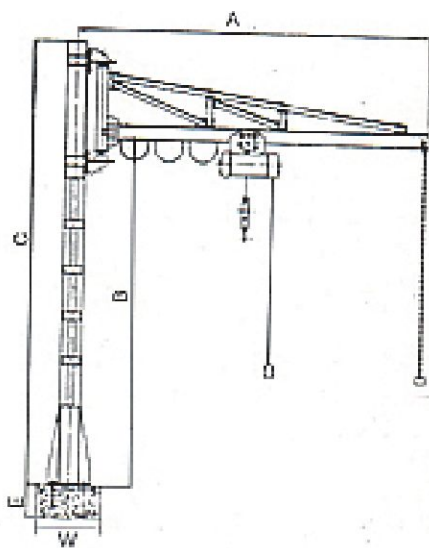
JIB CRANES

The forum name on a jib Crane stands for superior quality product They help reduce labour cost by avoiding the time spent on waiting for a overhead crane or a forklift. They are ideal for low cost, efficient spot handing of all kinds of materials. They are designed in compliance with is -307/3177. Column mounted jib Cranes are available from 350kgs. To 6000kgs. With boom radius up to 6 meters and swivel facility of 90-180-270-360 degrees. Forum also offers Wall mounted Jib Cranes with 180 degrees and 6 mts. Arm radius. For lifting and lowering Forum offers wire Jib rope hoist with motorised trolley and power supply system along the boom length

Wall Mounted



Column Mounted



CAPACITY IN TON	BOOM RADIUS MCTCAA	DINCNSIDN		WCIDHT APPADX KD
		MM	MM	
		A	B	
0.5	3	900	90	144
	4	1350	90	185
	5	1650	90	210
	6	1950	90	320
1	3	900	90	144
	4	1350	90	210
	5	1650	90	240
	6	1950	90	372
2	3	900	110	250
	4	1350	110	290
	5	1650	110	420
	6	1950	110	500
3	3	975	110	270
	4	1425	110	350
	5	1650	110	470
	6	2025	110	600
5	3	975	150	470
	4	1425	150	565
	5	1650	150	720
	6	2025	150	875

	A	B	C			Q	R		
				E	W				
0.25	3	4	4.9	0.7	1.2	1.7	500	1	475
	4	4	5.2	0.7	1.2	22	500	1	550
	5	4	5.6	0.9	1.2	22	500	1	650
	6	4	6.0	0.9	1.2	22	600	1	750
0.5	3	4	4.9	0.9	1.2	25	600	1	700
	4	4	5.2	0.9	1.5	25	750	1	775
	5	4	5.6	0.9	1.5	32	750	1	865
	6	4	6.0	0.9	1.5	32	900	1	1000
1	3	4	4.9	0.9	1.5	32	750	1	900
	4	4	5.2	1.2	1.5	32	900	1	1000
	5	4	5.6	1.2	1.8	32	750	1	1150
	6	4	6.0	1.2	2.1	32	900	1	1350
2	3	4	4.9	1.2	2.1	32	900	1	1100
	4	4	5.2	1.2	1.8	32	900	2	1600
	5	4	5.6	1.2	2.1	32	900	2	2200
	6	4	6.0	1.2	2.4	32	1050	2	2500
3	3	4	5.0	1.2	2.4	32	1050	2	2100
	4	4	5.3	1.2	2.1	32	1200	2	2500
	5	4	5.7	1.2	2.4	32	1350	2	2800
	6	4	6.1	1.2	2.4	32	1350	2	3300
5	3	4	5.4	1.2	2.6	32	1350	2	2500
	4	5	6.5	1.2	2.8	32	1350	2	3600
	5	5	6.3	1.2	3.2	32	1600	2	4300

Note

PRODUCT RANGE

ELECTRIC WIRE ROPE HOSTS, SINGLE GIRDER CRANES, DOUBLE GIRDER CRANES, GANTRY / GOLIATH CRANES, JIB CRANES, ELECTRIC WINCHES.